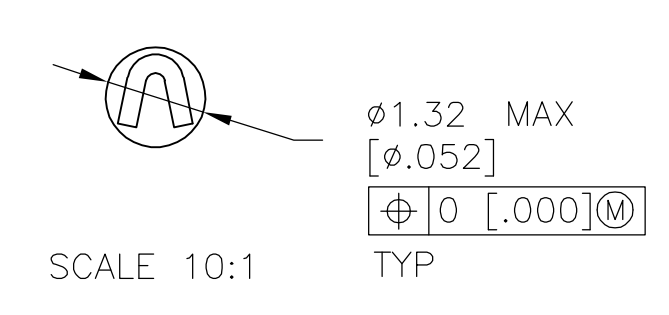
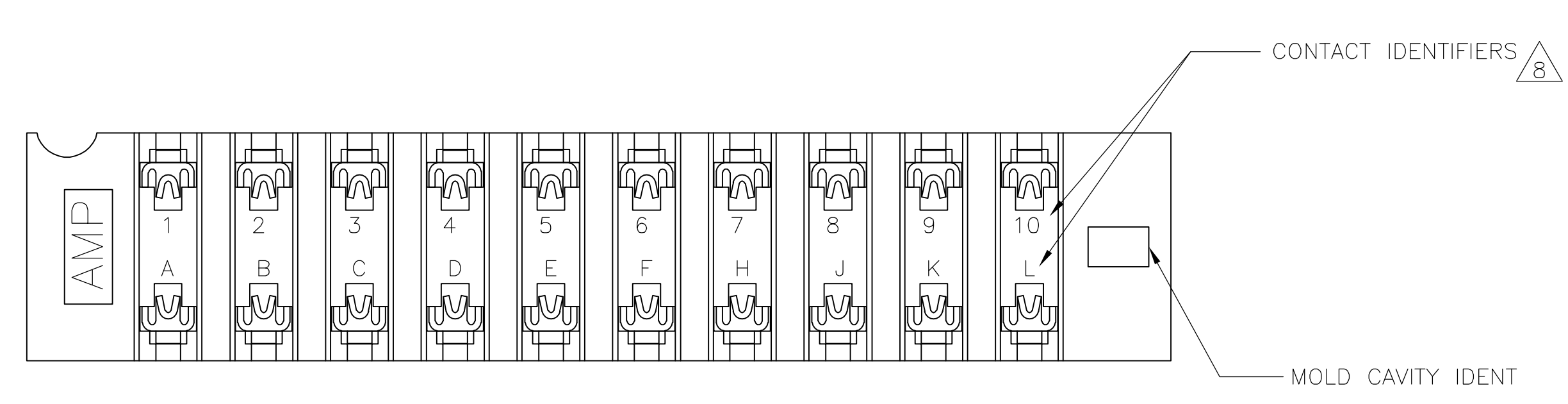
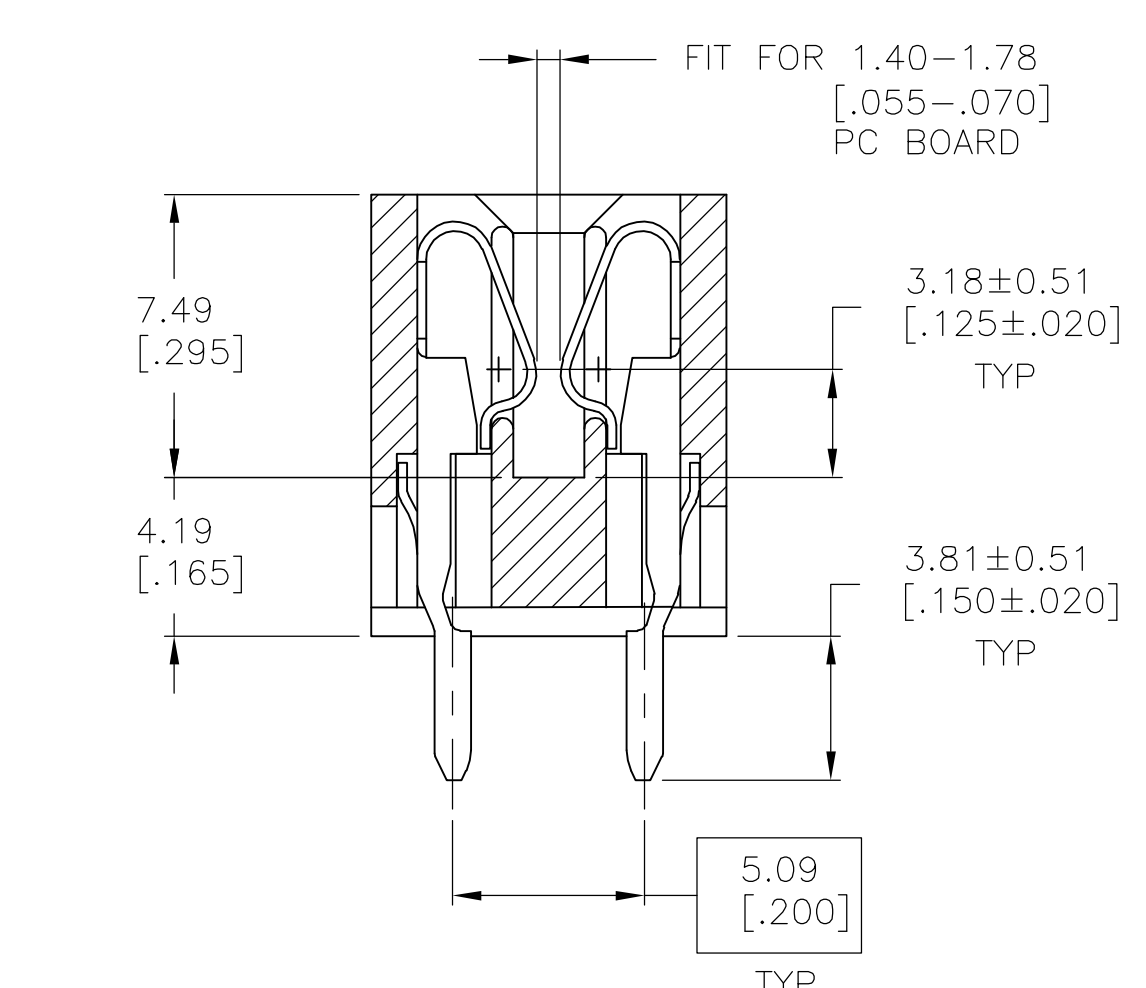
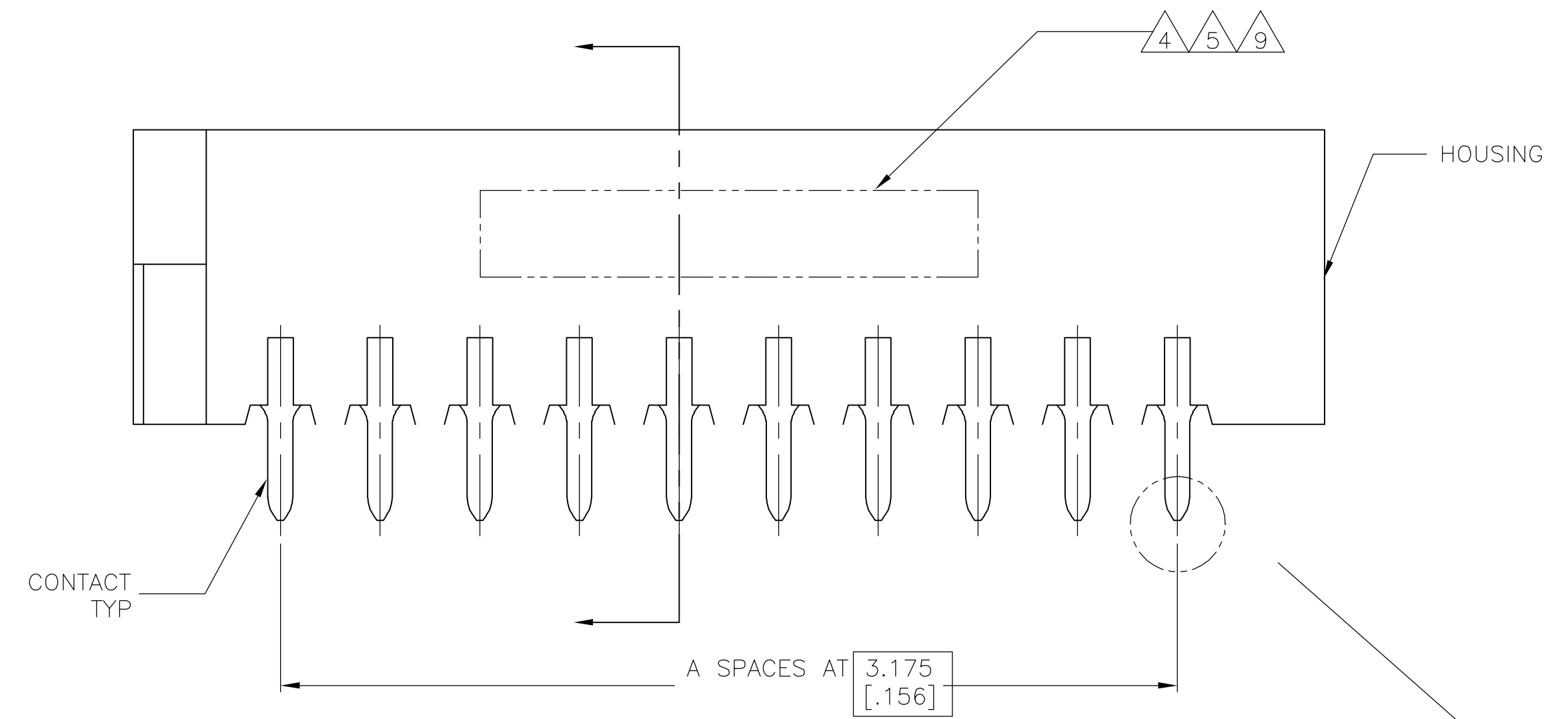
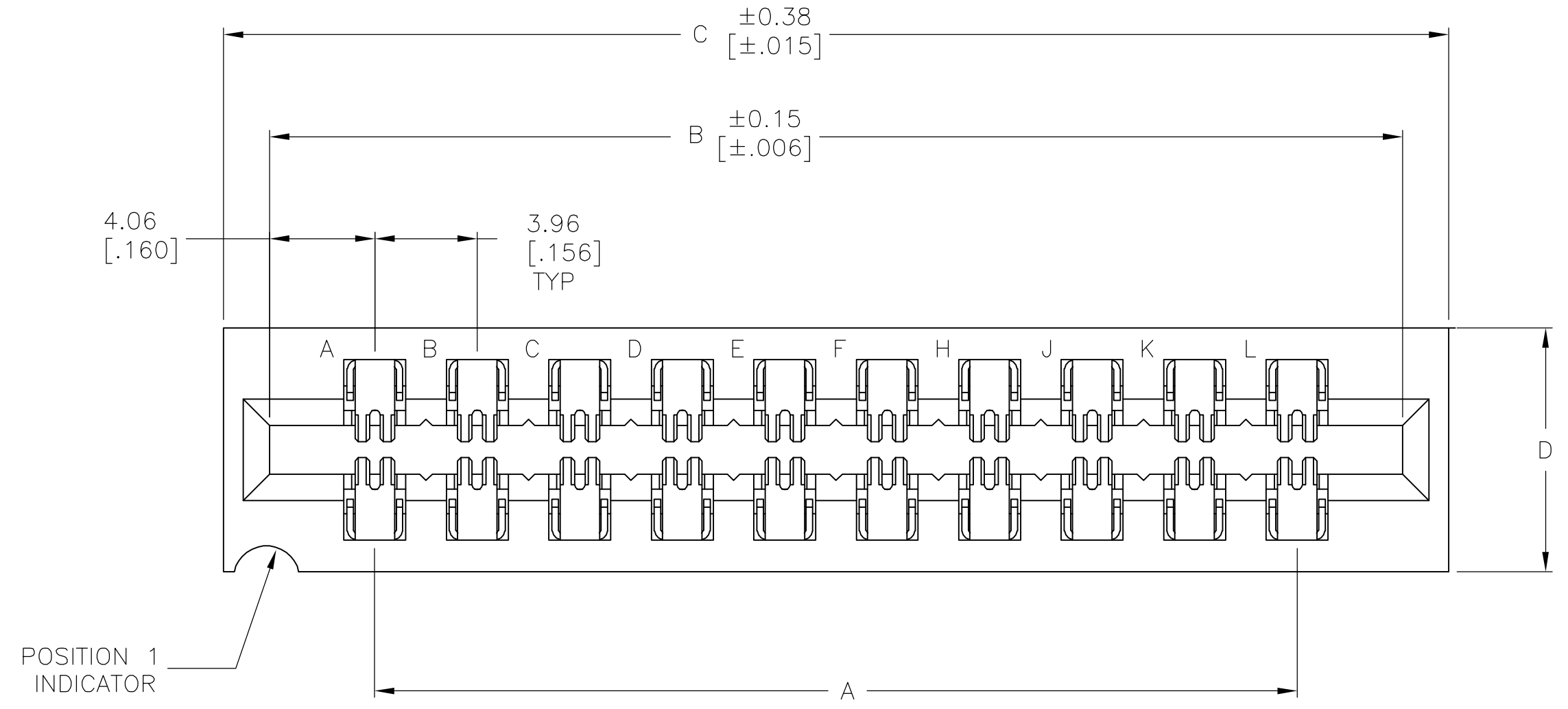


LOC		DIST		REVISIONS			
AD	OO	F	LTR	DESCRIPTION	DATE	DWN	APPO
		K		ECO-05-6325	15JUN2006	MB	MM

- 1 0.38µm[.000015] MIN GOLD ALL OVER 1.27µm[.000050] MIN NICKEL IN CONTACT AREA
- 2 0.76µm[.000030] MIN GOLD ALL OVER 1.27µm[.000050] MIN NICKEL IN CONTACT AREA
- 3 0.51µm[.000020] MIN GOLD ALL OVER 1.27µm[.000050] MIN NICKEL IN CONTACT AREA
- 4 NO INK STAMPING ON 1-153666-5 PART
- 5 ALL PARTS ASSEMBLED IN MEXICO MUST BE STAMPED "ASSY IN MEXICO"  
THE WORD "MEXICO" CAN BE SUBSTITUTED ONLY WHERE PART SIZE PROHIBITS  
STAMPING "ASSY IN MEXICO" INK STAMP COLOR WHITE OR HOT STAMP ( NO WHITE TAPE)  
115-9009 APPROX. WHERE SHOWN SIDE OPTIONAL
- 6 MATTE TIN PLATED CONTACT TAILS
- 7 HOUSING: GLASS FILLED POLYESTER, GREEN  
CONTACTS: PHOSPHOR BRONZE
- 8 MOLDED CHARACTERS (UPPER & LOWER CASE LETTERS FOLLOWED BY UPPER CASE  
LETTERS AA, AB, ETC.) OMITTING LETTERS G,I,O, & Q
- 9 AMP PART NUMBER AND DATE CODE INK STAMPED WHITE OR HOT STAMP  
NO WHITE TAPE IN THIS AREA (SIDE OPTIONAL)
- 10 BRIGHT TIN POST



LOC	DIST	FINISH	NO OF POSN	PART NUMBER
11.10	178.10	174.55	166.42	43 8-530666-3
[.437]	[7.012]	[6.872]	[6.552]	
11.10	118.67	115.11	106.98	28 8-530666-2
[.437]	[4.672]	[4.532]	[4.212]	
11.10	126.59	123.04	114.91	30 7-530666-9
[.437]	[4.984]	[4.844]	[4.524]	
9.40	94.89	91.34	83.21	22 7-530666-6
[.370]	[3.736]	[3.596]	[3.276]	
9.40	79.04	75.49	67.36	18 7-530666-5
[.370]	[3.112]	[2.972]	[2.652]	
9.40	67.16	63.60	55.47	15 7-530666-4
[.370]	[2.644]	[2.504]	[2.184]	
9.40	55.27	51.71	43.59	12 7-530666-3
[.370]	[2.176]	[2.036]	[1.716]	
9.40	47.35	43.79	35.66	10 7-530666-2
[.370]	[1.864]	[1.724]	[1.404]	
9.40	31.50	27.94	19.81	6 7-530666-1
[.370]	[1.240]	[1.100]	[.780]	
11.10	178.10	174.55	166.42	43 3-530666-3
[.437]	[7.012]	[6.872]	[6.552]	
9.40	118.67	115.11	106.98	28 3-530666-2
[.370]	[4.672]	[4.532]	[4.212]	
11.10	182.07	178.51	170.38	44 3-530666-1
[.437]	[7.168]	[7.028]	[6.708]	
11.10	150.37	146.81	138.68	36 3-530666-0
[.437]	[5.920]	[5.780]	[5.460]	
11.10	126.59	123.04	114.91	30 2-530666-9
[.437]	[4.984]	[4.844]	[4.524]	
9.40	106.78	103.23	95.10	25 2-530666-8
[.370]	[4.204]	[4.064]	[3.744]	
9.40	102.82	99.26	91.14	24 2-530666-7
[.370]	[4.048]	[3.908]	[3.588]	
9.40	94.89	91.34	83.21	22 2-530666-6
[.370]	[3.736]	[3.596]	[3.276]	
9.40	79.04	75.49	67.36	18 2-530666-5
[.370]	[3.112]	[2.972]	[2.652]	
9.40	67.16	63.60	55.47	15 2-530666-4
[.370]	[2.644]	[2.504]	[2.184]	
9.40	55.27	51.71	43.59	12 2-530666-3
[.370]	[2.176]	[2.036]	[1.716]	
9.40	47.35	43.79	35.66	10 2-530666-2
[.370]	[1.864]	[1.724]	[1.404]	
9.40	31.50	27.94	19.81	6 2-530666-1
[.370]	[1.240]	[1.100]	[.780]	
9.40	118.67	115.11	106.98	28 1-530666-5
[.370]	[4.672]	[4.532]	[4.212]	
11.10	178.10	174.55	166.42	43 1-530666-3
[.437]	[7.012]	[6.872]	[6.552]	
9.40	118.67	115.11	106.98	28 1-530666-2
[.370]	[4.672]	[4.532]	[4.212]	
11.10	182.07	178.51	170.38	44 1-530666-1
[.437]	[7.168]	[7.028]	[6.708]	
11.10	150.37	146.81	138.68	36 1-530666-0
[.437]	[5.920]	[5.780]	[5.460]	
11.10	126.59	123.04	114.91	30 530666-9
[.437]	[4.984]	[4.844]	[4.524]	
9.40	106.78	103.23	95.10	25 530666-8
[.370]	[4.204]	[4.064]	[3.744]	
9.40	102.82	99.26	91.14	24 530666-7
[.370]	[4.048]	[3.908]	[3.588]	
9.40	94.89	91.34	83.21	22 530666-6
[.370]	[3.736]	[3.596]	[3.276]	
9.40	79.04	75.49	67.36	18 530666-5
[.370]	[3.112]	[2.972]	[2.652]	
9.40	67.16	63.60	55.47	15 530666-4
[.370]	[2.644]	[2.504]	[2.184]	
9.40	55.27	51.71	43.59	12 530666-3
[.370]	[2.176]	[2.036]	[1.716]	
9.40	47.35	43.79	35.66	10 530666-2
[.370]	[1.864]	[1.724]	[1.404]	
9.40	31.50	27.94	19.81	6 530666-1
[.370]	[1.240]	[1.100]	[.780]	

THIS DRAWING IS A CONTROLLED DOCUMENT. DWN D. HARDY 12SEP97  
 OK R. STONE 16SEP97  
 APPO D. WIKF 18SEP97

TOLERANCES UNLESS OTHERWISE SPECIFIED:  
 0 PLC ± .005  
 1 PLC ± .005  
 2 PLC ± .013 [.005]  
 3 PLC ± .013 [.005]  
 4 PLC ± .013 [.005]  
 ANGLES ± .005

MATERIAL 7 SEE TABLE

FINISH SEE TABLE

THIS DRAWING IS A CONTROLLED DOCUMENT. DWN D. HARDY 12SEP97  
 OK R. STONE 16SEP97  
 APPO D. WIKF 18SEP97

NAME: Tyco Electronics Corporation  
 Harrisburg, Pa 17105-3608

PRODUCT SPEC: HOUSING ASSEMBLY, LOW PROFILE  
 EDGE CONNECTOR, FLOW SOLDER FOR  
 .052 DIA HOLE, .156 X .200 CENTERS

APPLICATION SPEC: 108-9044

SIZE: A1  
 CAGE CODE: 00779  
 DRAWING NO: 530666

RESTRICTED TO: -

CUSTOMER DRAWING SCALE: 5:1 SHEET: 1 OF 1 REV: K